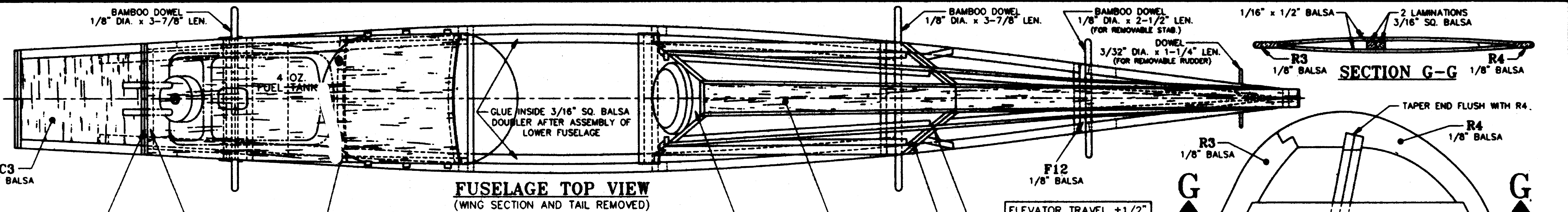
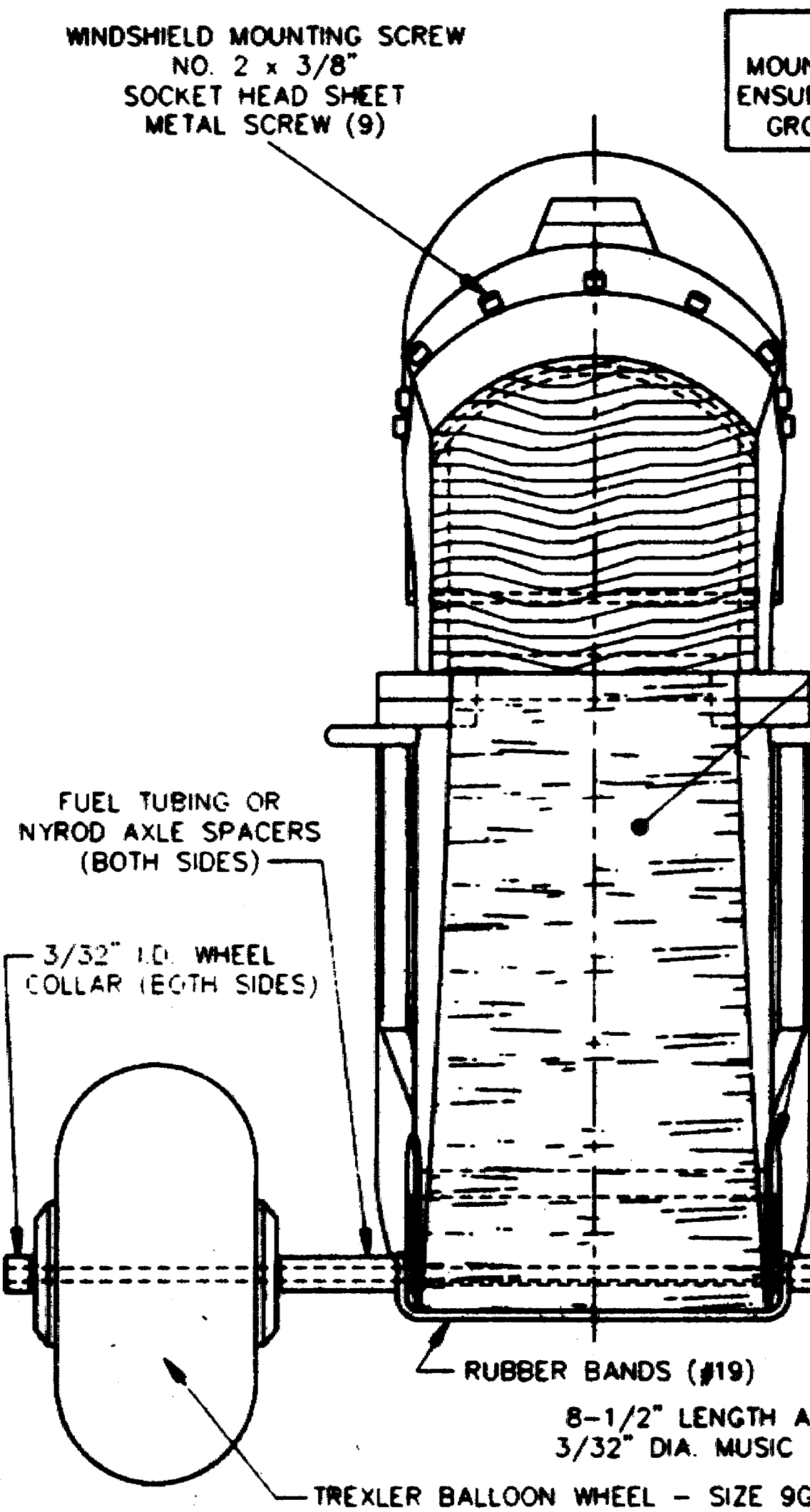


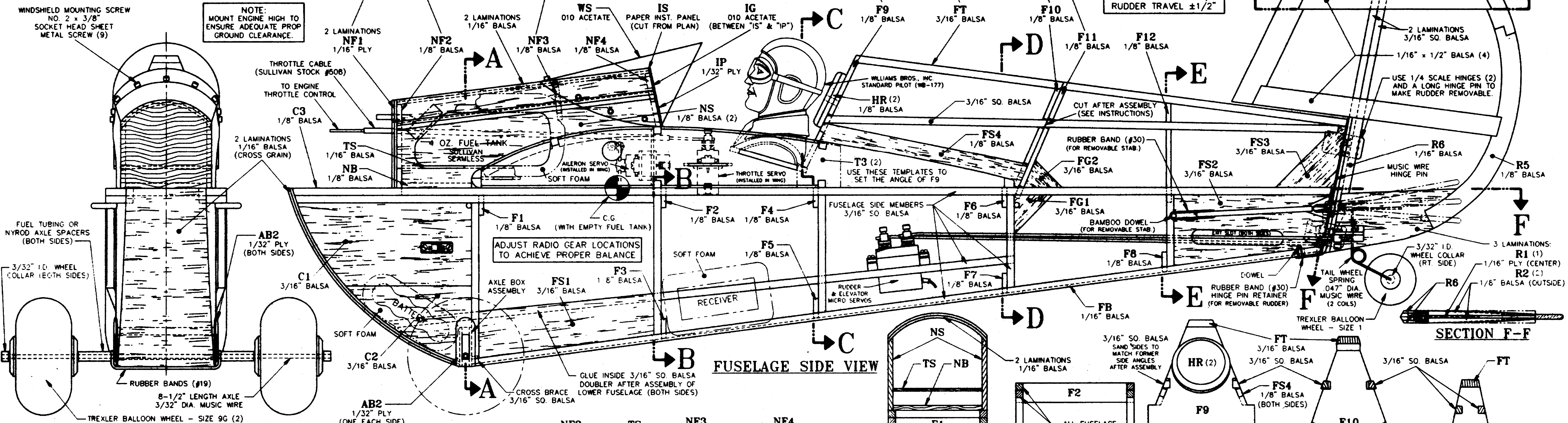
AXLE BOX ASSEMBLY



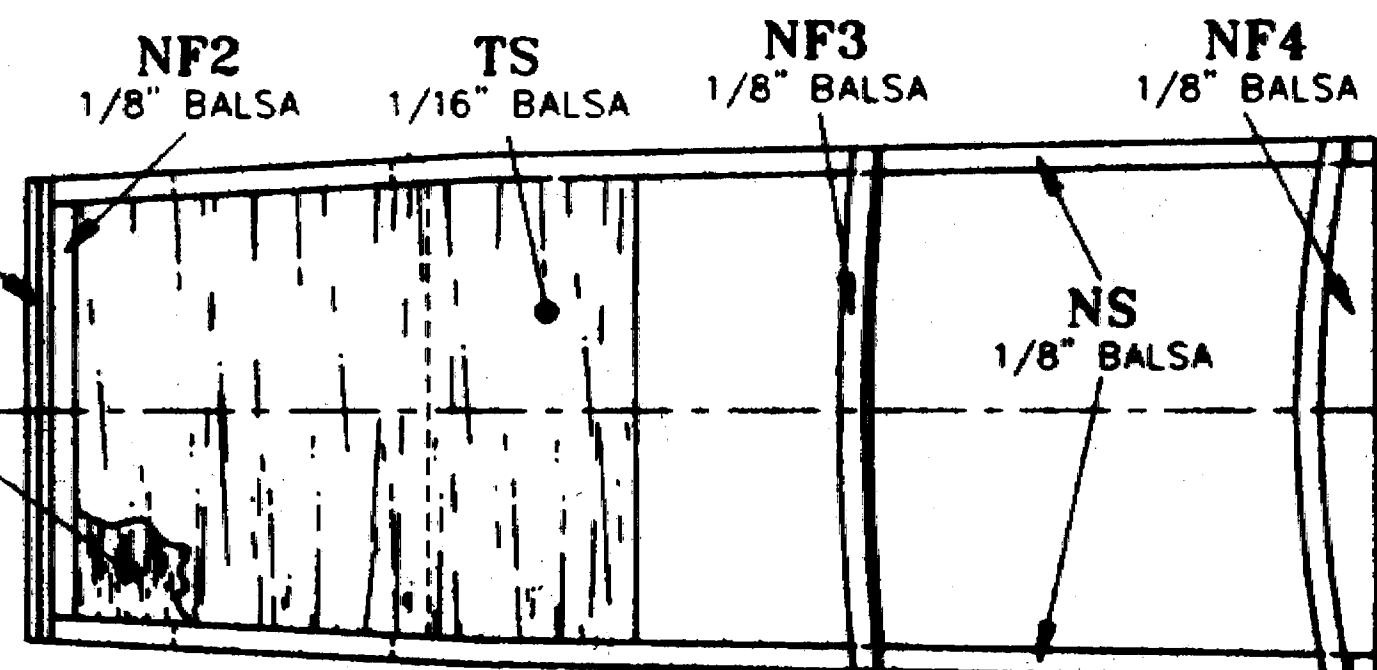
FUSELAGE TOP VIEW
(WING SECTION AND TAIL REMOVED)



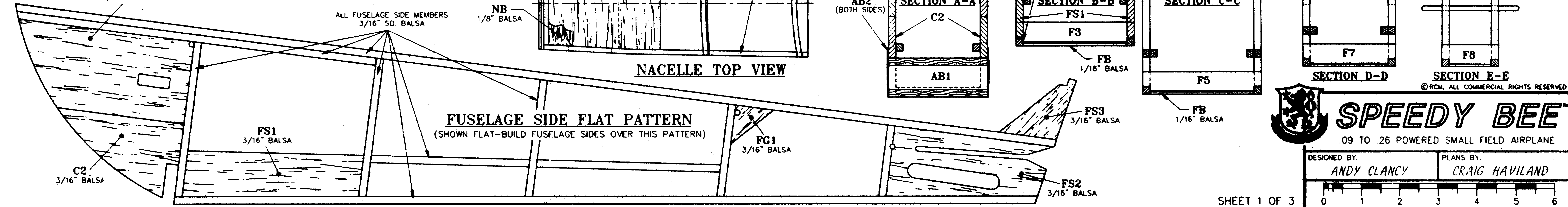
FUSELAGE FRONT VIEW



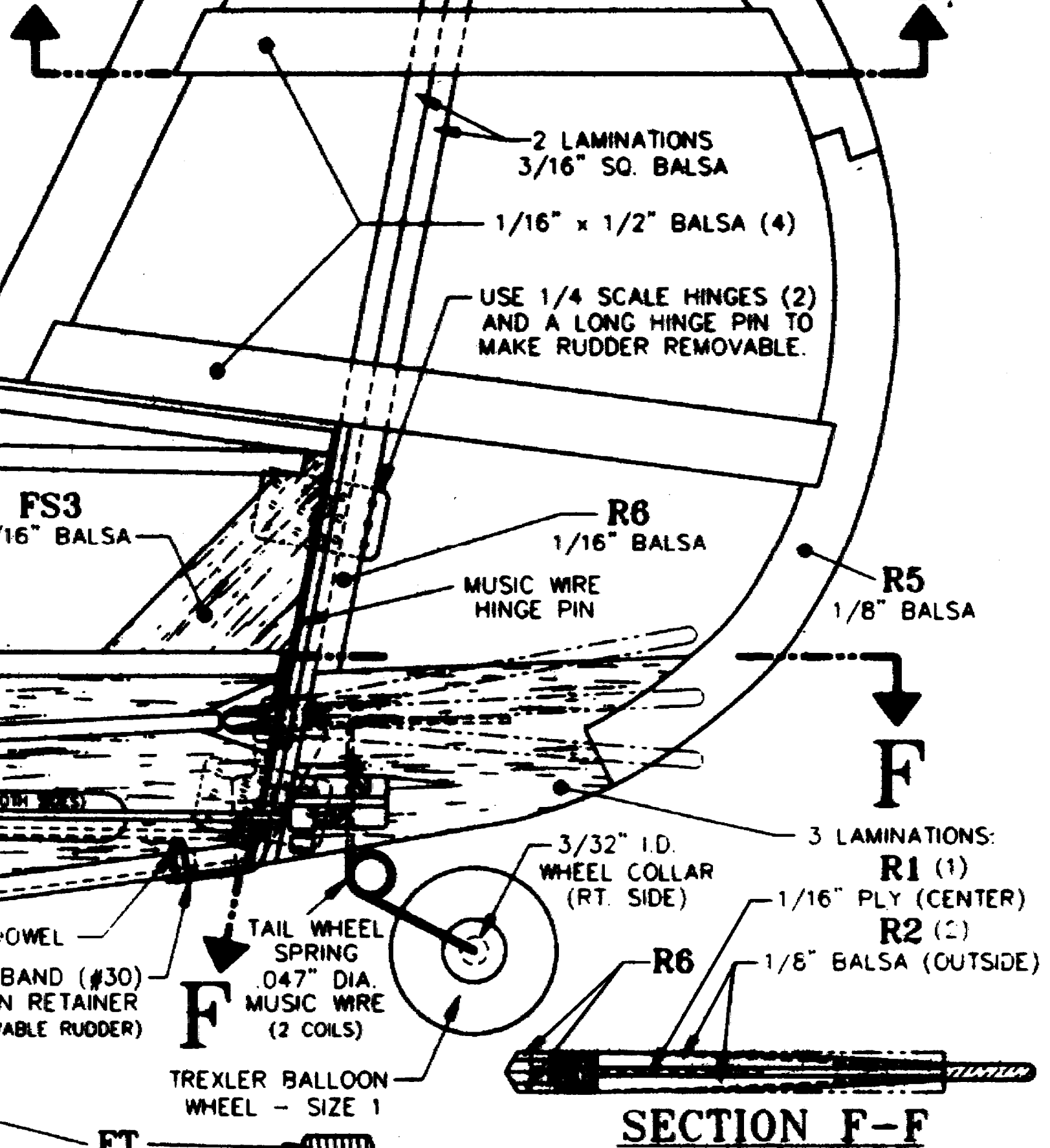
FUSELAGE SIDE VIEW



NACELLE TOP VIEW

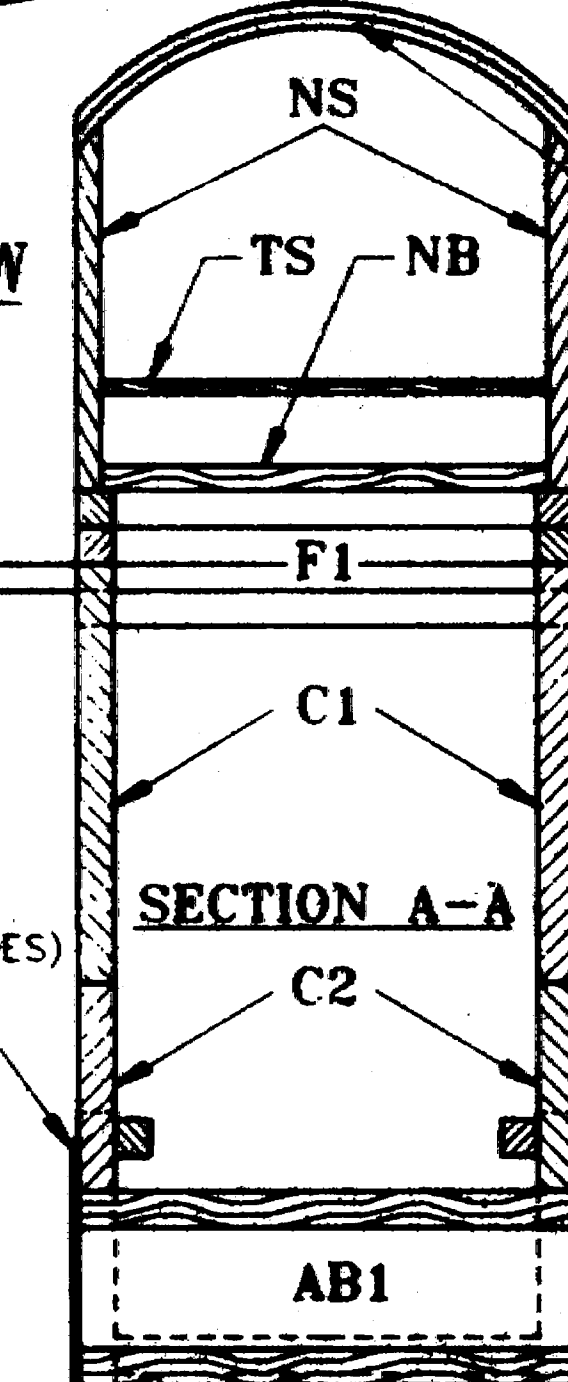


FUSELAGE SIDE FLAT PATTERN
(SHOWN FLAT-BUILD FUSLAGE SIDES OVER THIS PATTERN)

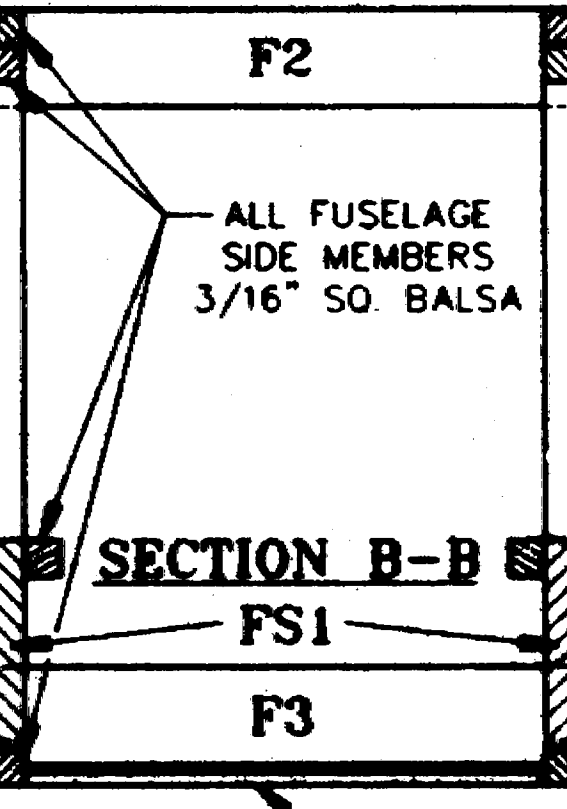


SECTION G-G

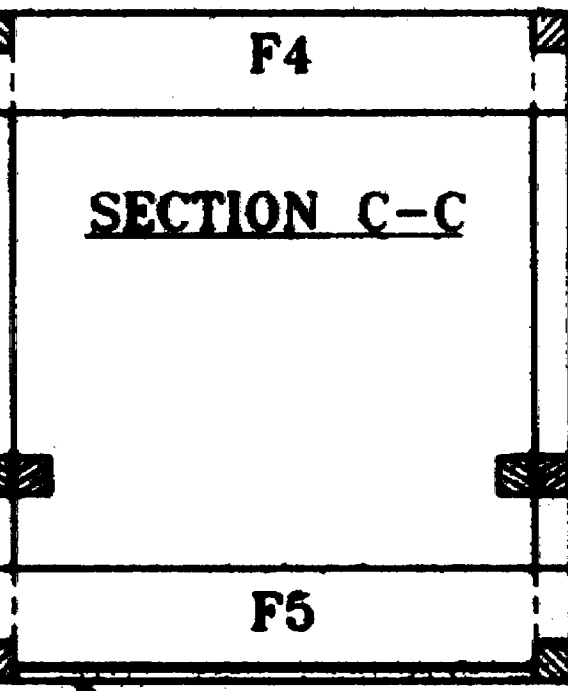
SECTION F-F



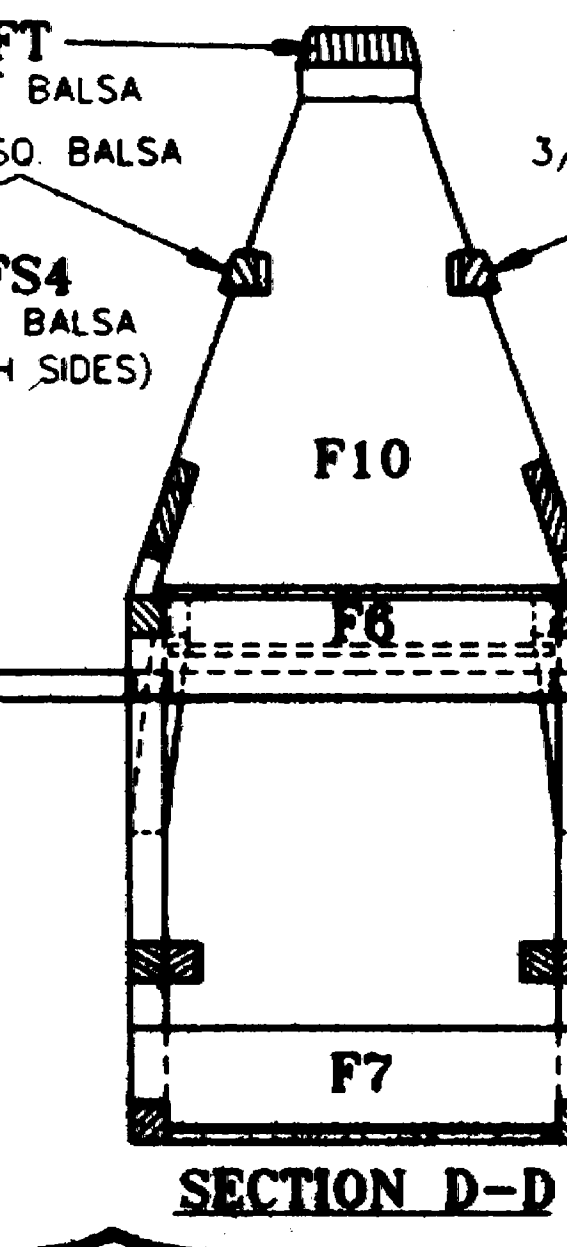
SECTION A-A



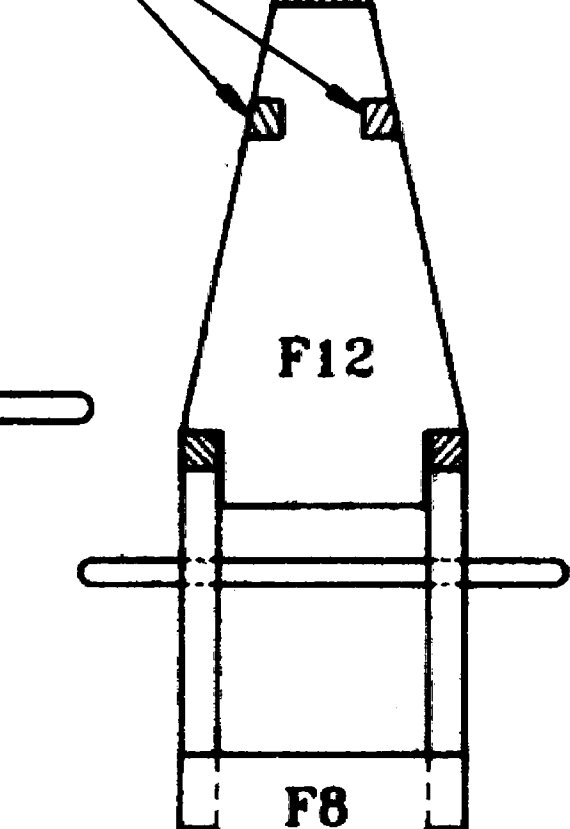
SECTION B-B



SECTION C-C



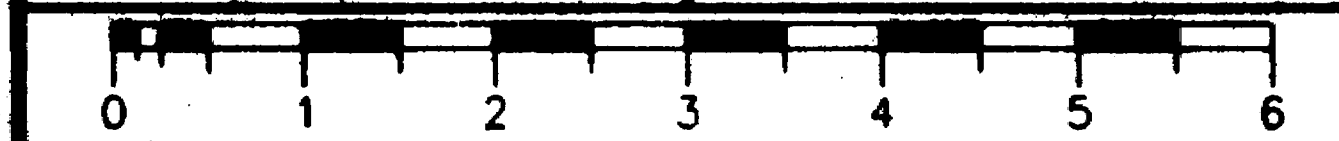
SECTION D-D

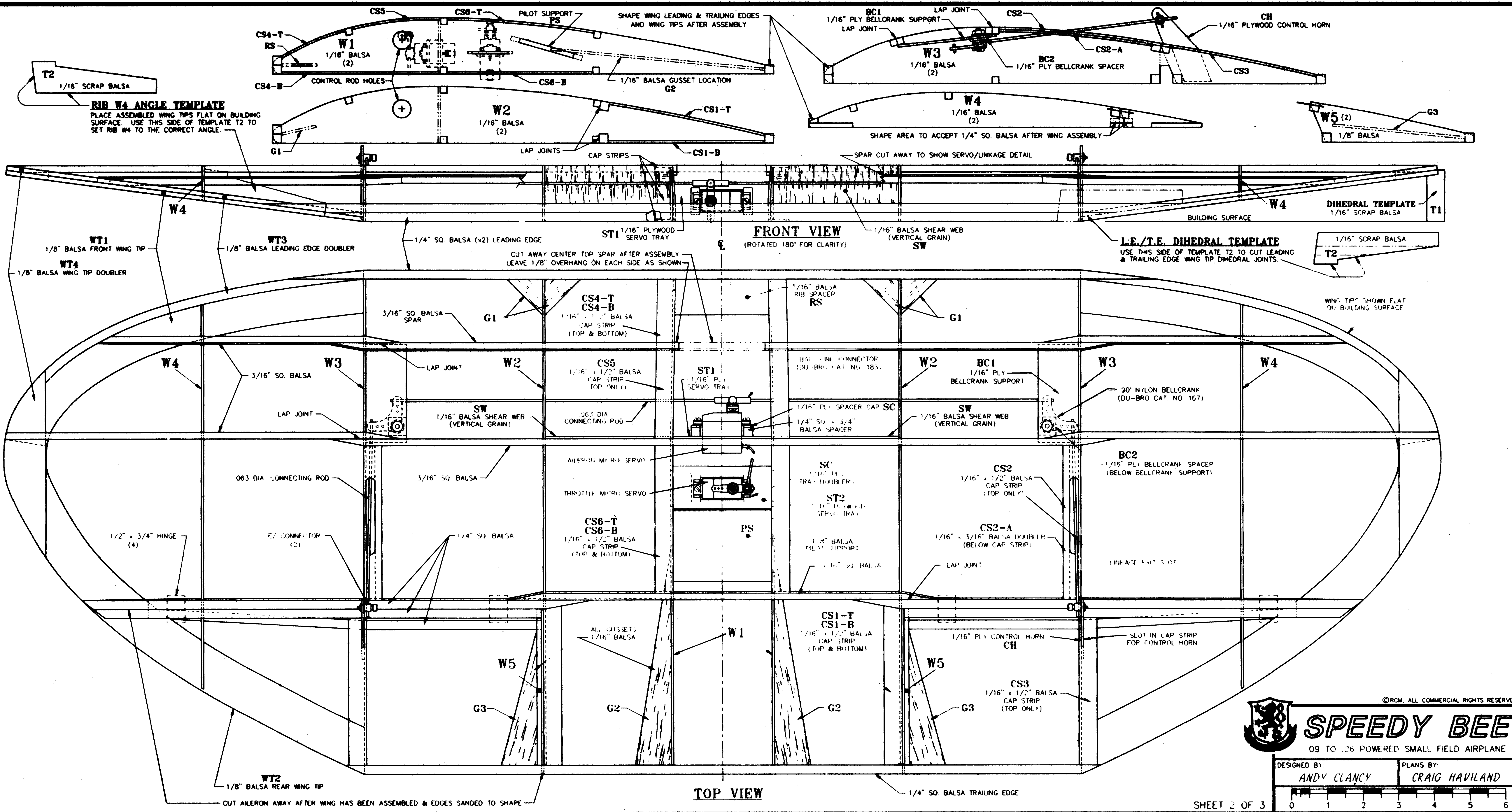


SECTION E-E

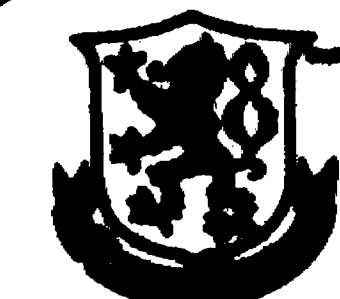
SPEEDY BEE™
.09 TO .26 POWERED SMALL FIELD AIRPLANE

DESIGNED BY: **ANDY CLANCY** PLANS BY: **CRAIG HAVILAND**





©R.M. ALL COMMERCIAL RIGHTS RESERVED



SPEEDY BEE™

09 TO 26 POWERED SMALL FIELD AIRPLANE

DESIGNED BY: **ANDY CLANCY** PLANS BY: **CRAIG HAVILAND**



