

PIGEON SPECIFICATIONS
 WINGSPAN---44" (BOTH WINGS)
 AREA-----584.5 SQ. INCHES
 WEIGHT-----54 OZ.
 ENGINE-----15 TO .25
 RADIO-----2 TO 5 CHANNELS

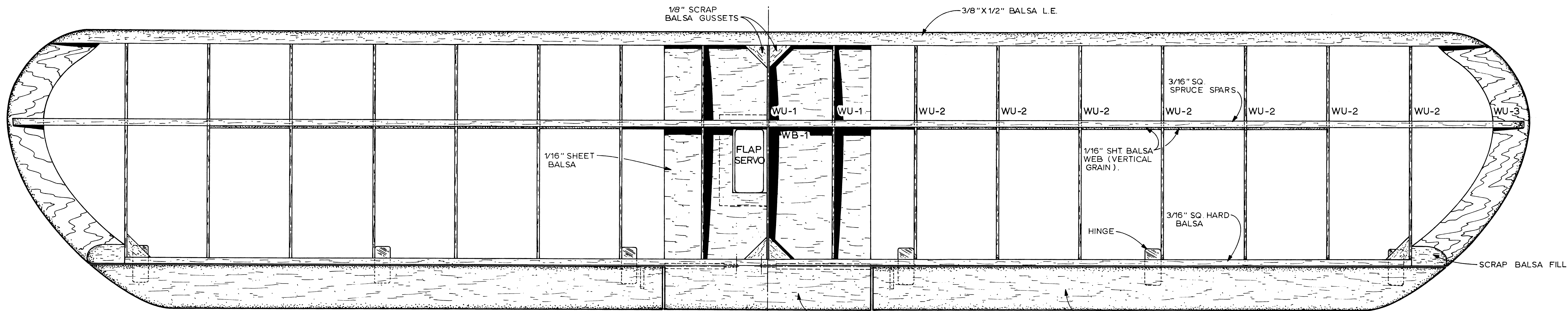
© RCM ALL COMMERCIAL RIGHTS RESERVED

S.T.O.L. PIGEON
 SPORT BIPLANE

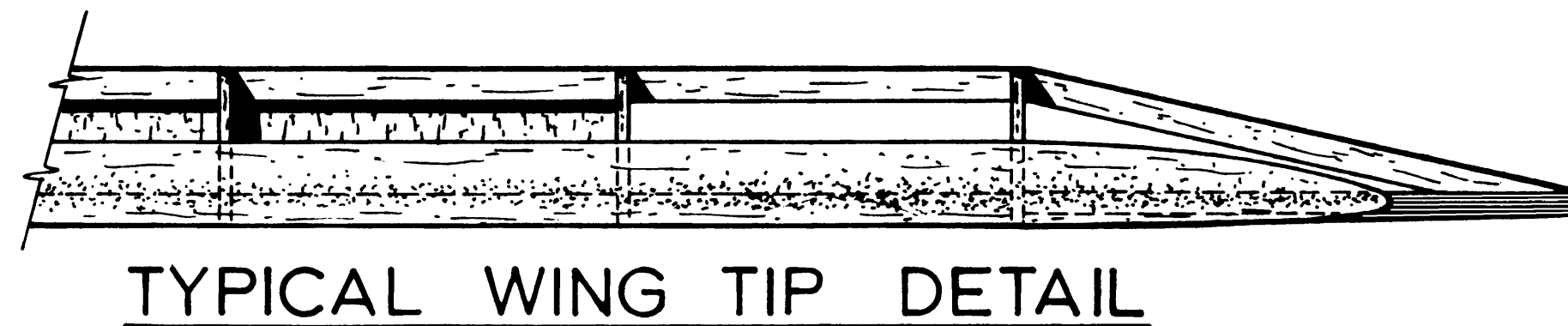
DESIGNED AND DRAWN BY: *Michael Leasure*
 PLANS BY: *Robert C. Switzer*

SHEET 1 OF 2

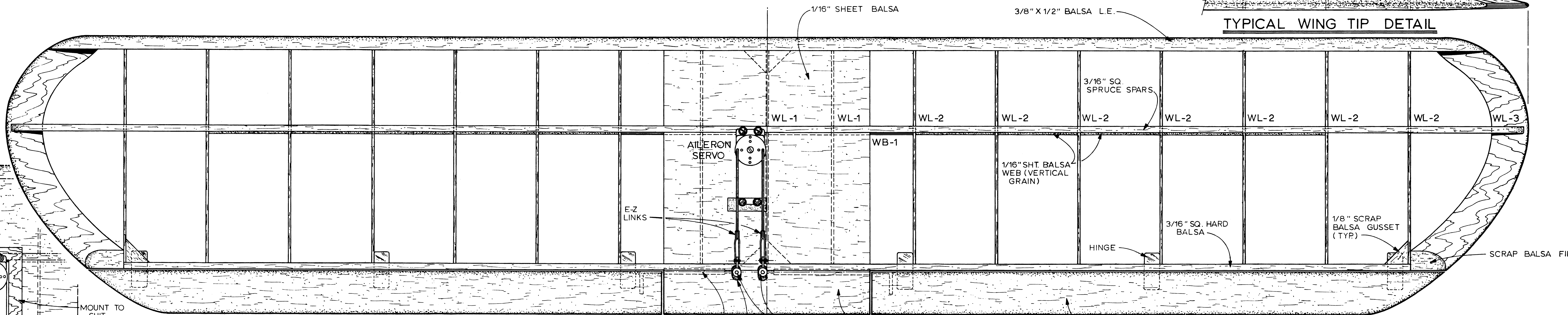
PLAN NO. 982



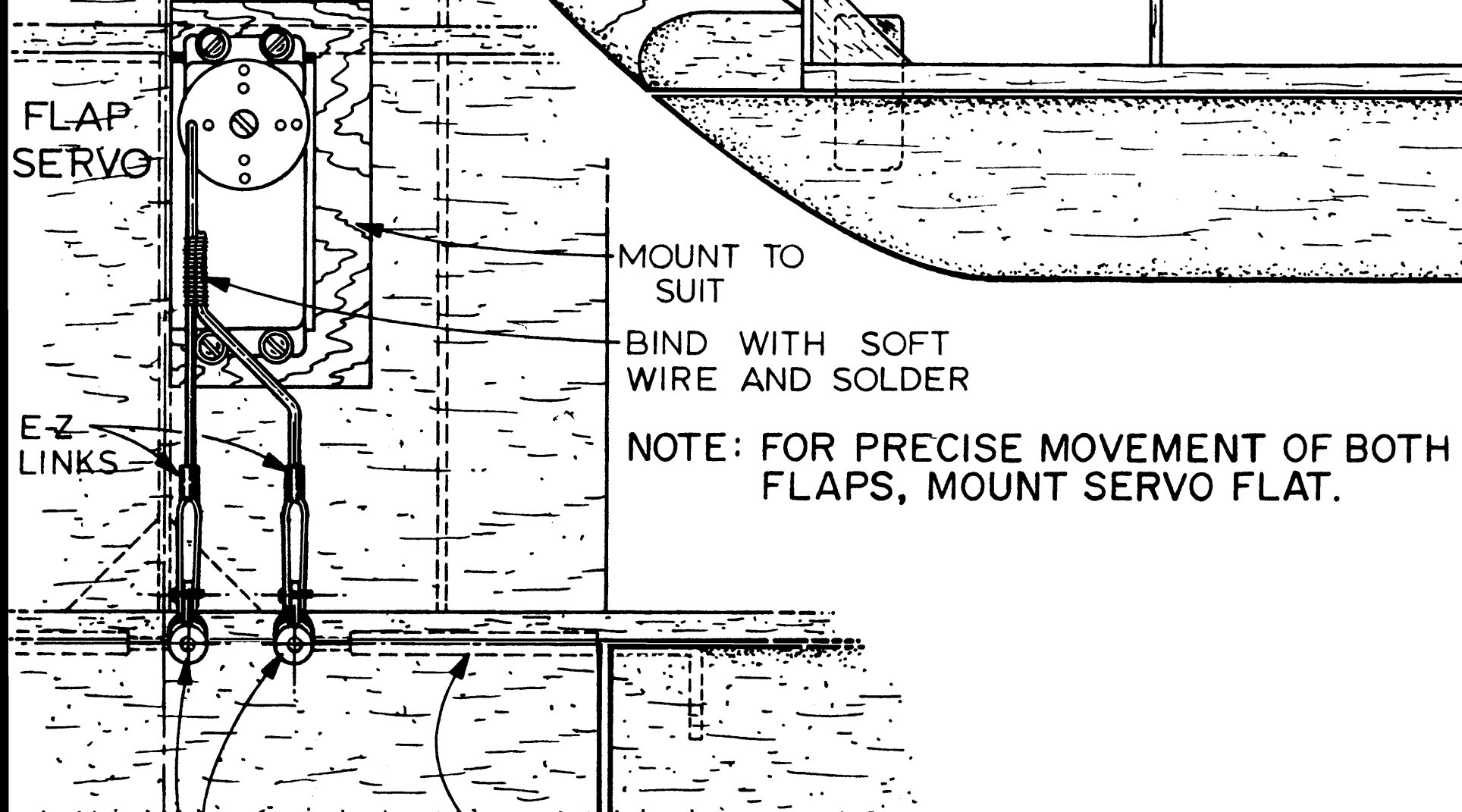
UPPER WING PLAN



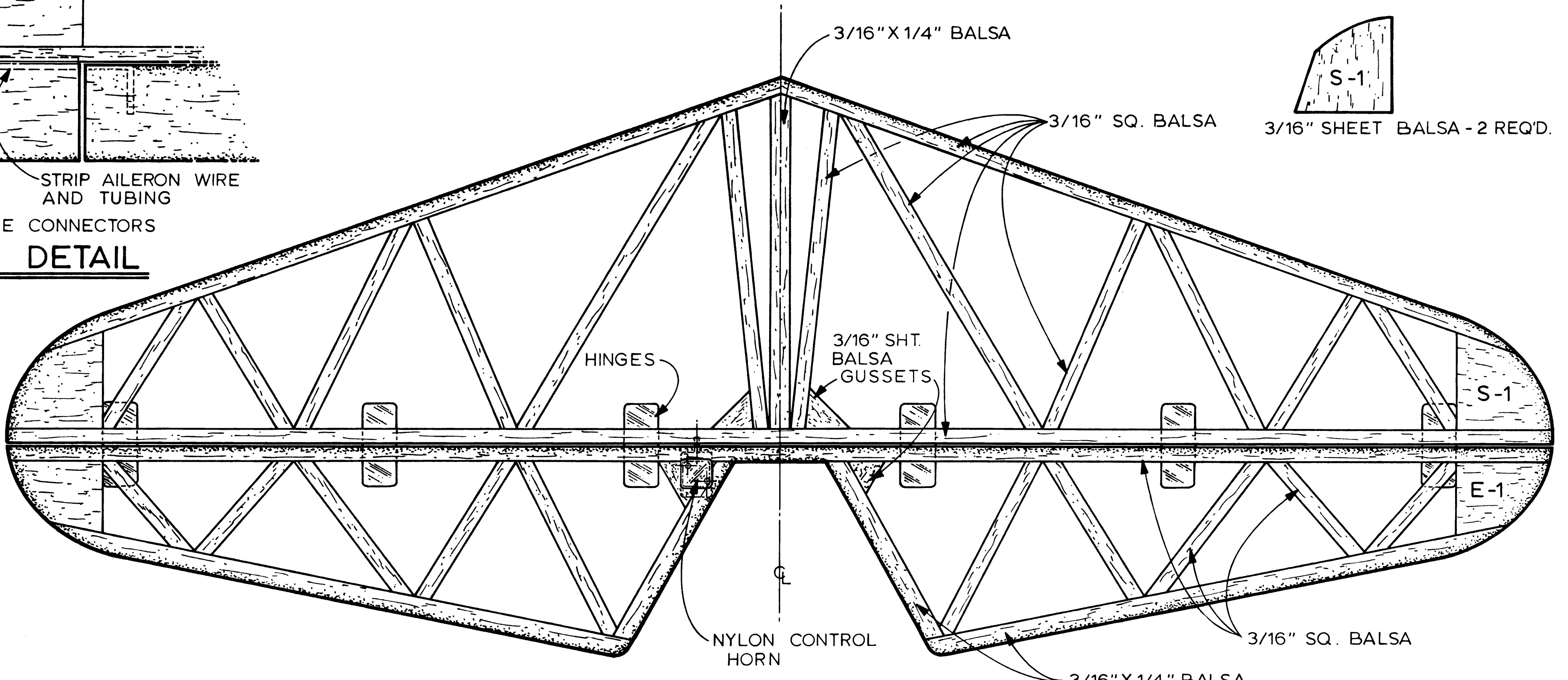
TYPICAL WING TIP DETAIL



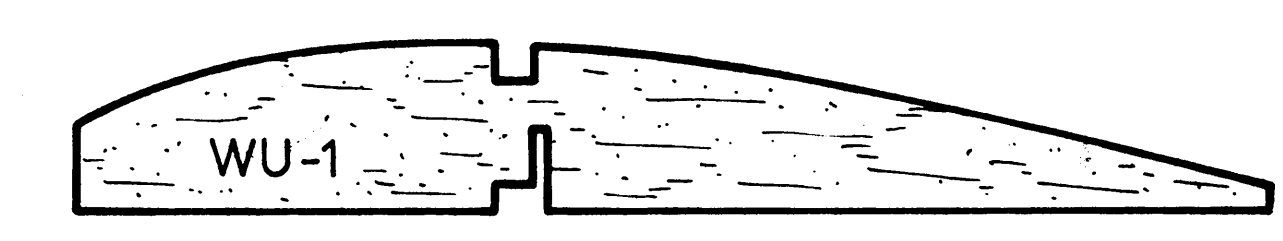
LOWER WING PLAN



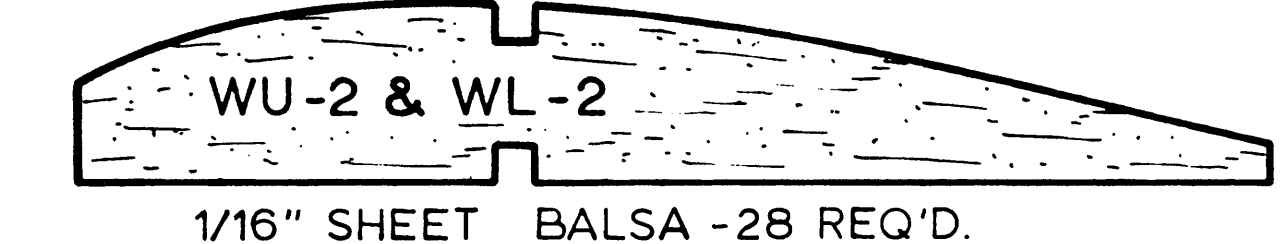
FLAP SERVO DETAIL



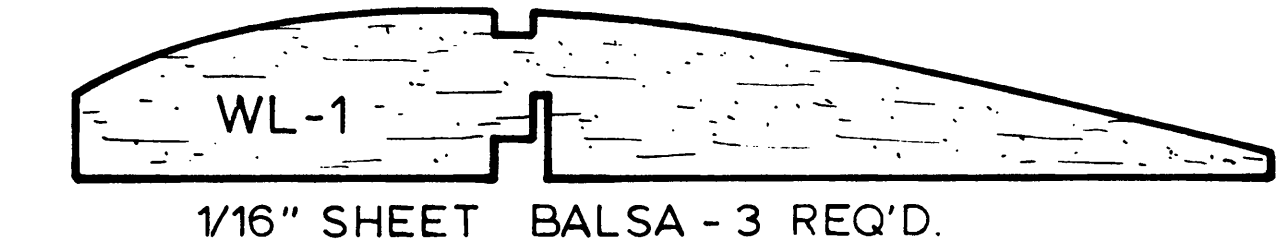
STABILIZER & ELEVATOR PLAN



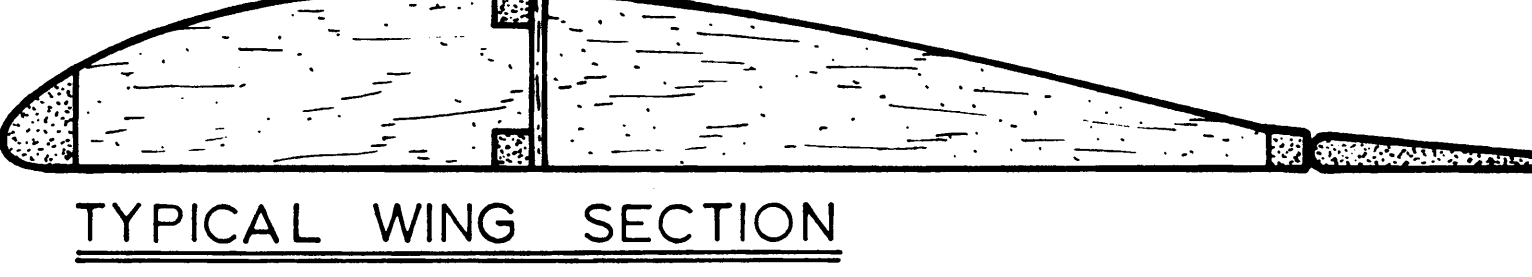
WU-1
1/16" SHEET Balsa - 3 REQ'D.



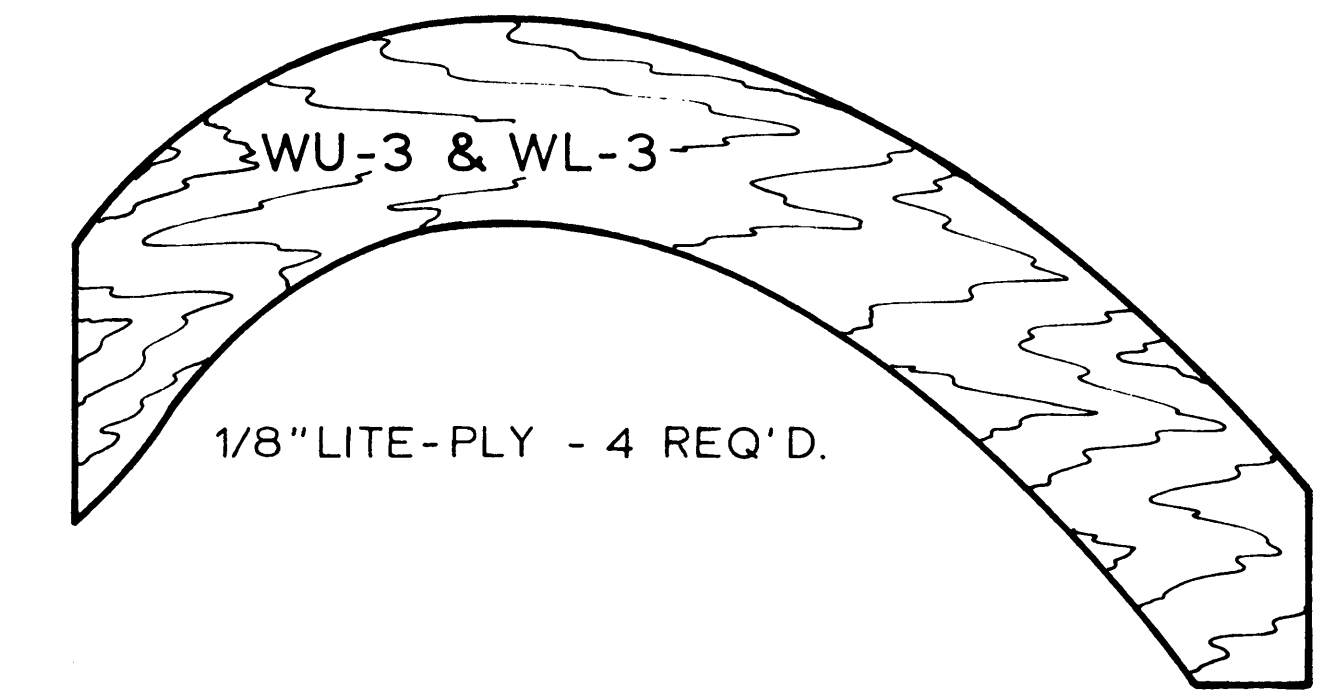
WU-2 & WL-2
1/16" SHEET Balsa - 28 REQ'D.



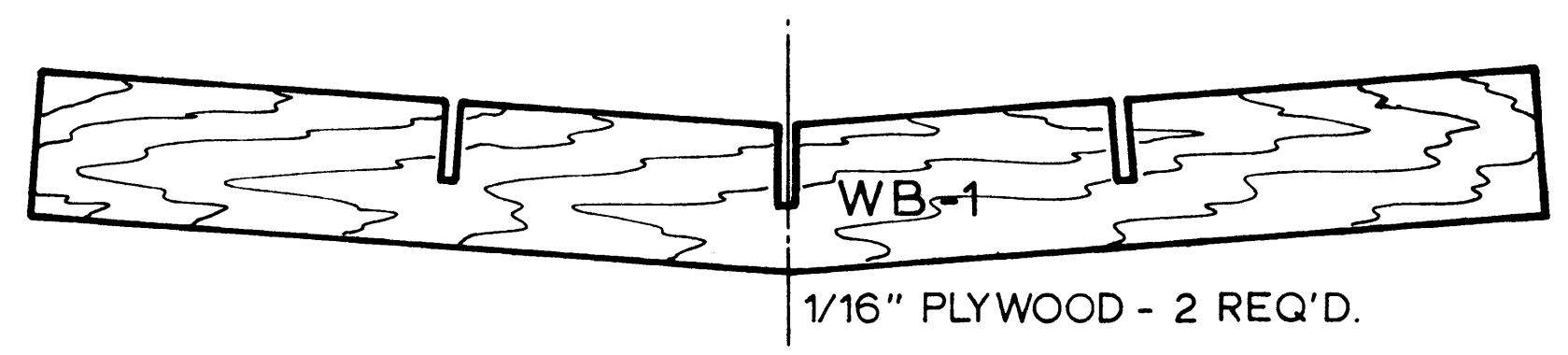
WL-1
1/16" SHEET Balsa - 3 REQ'D.



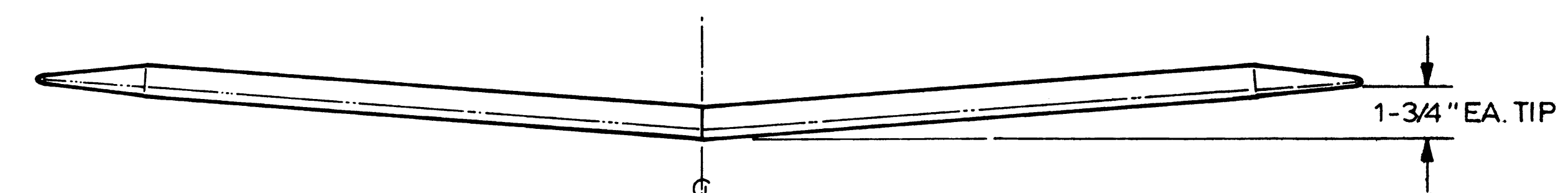
TYPICAL WING SECTION



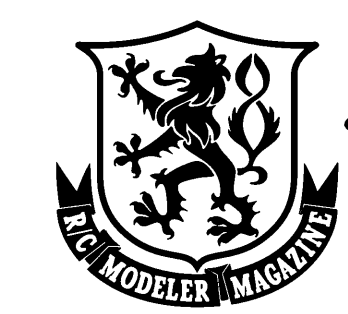
WU-3 & WL-3
1/8" LITE-PLY - 4 REQ'D.



WB-1
1/16" PLYWOOD - 2 REQ'D.



UPPER & LOWER WING DIHEDRAL DETAIL



© RCM ALL COMMERCIAL RIGHTS RESERVED

S.T.O.L. PIGEON
SPORT BIPLANE

DESIGNED AND DRAWN BY: MICHAEL LEASURE
PLANS BY: Robert C. Leasure

