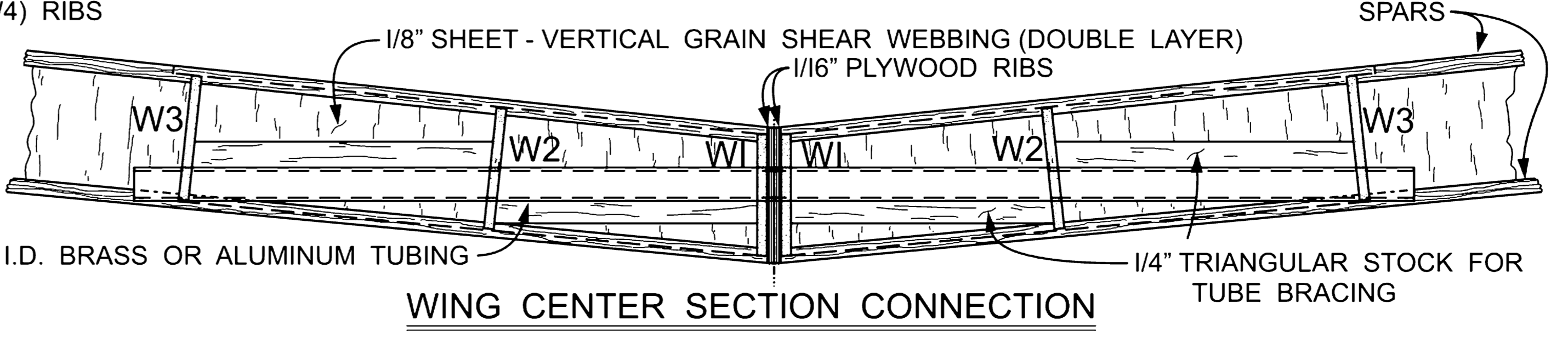
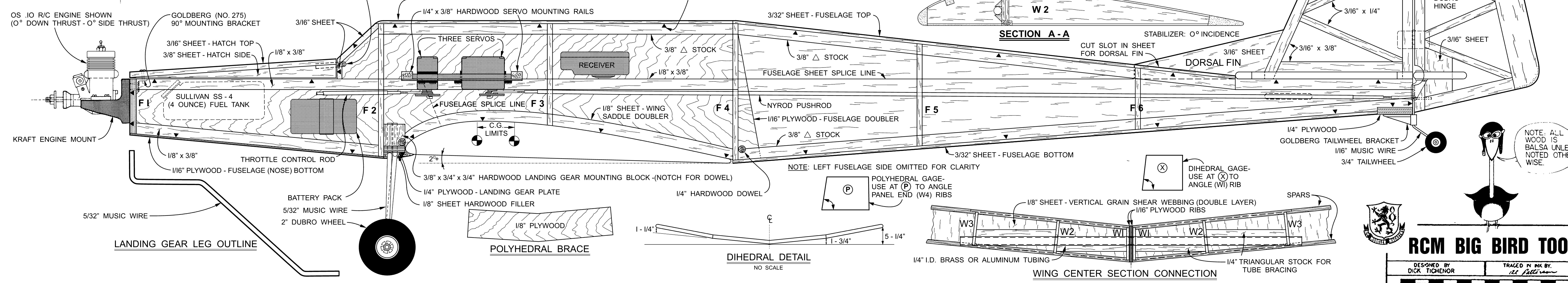
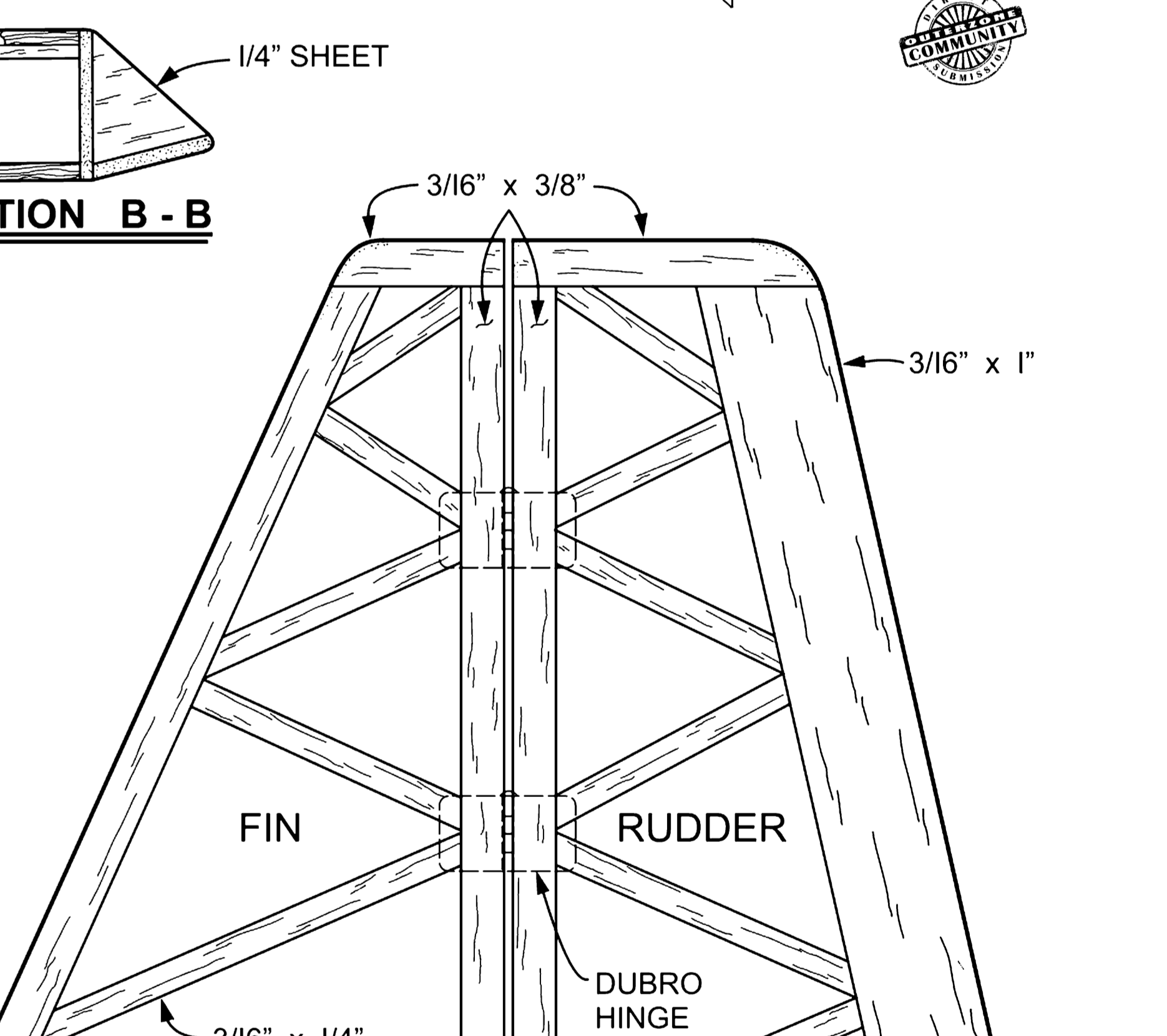
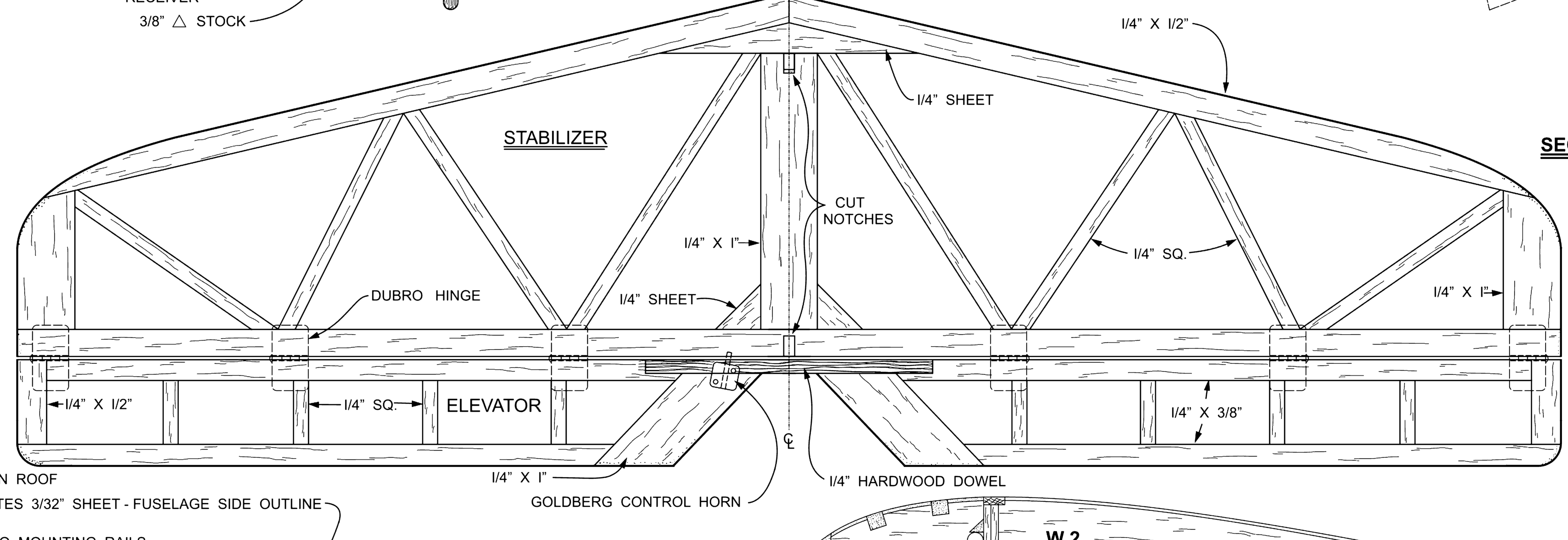
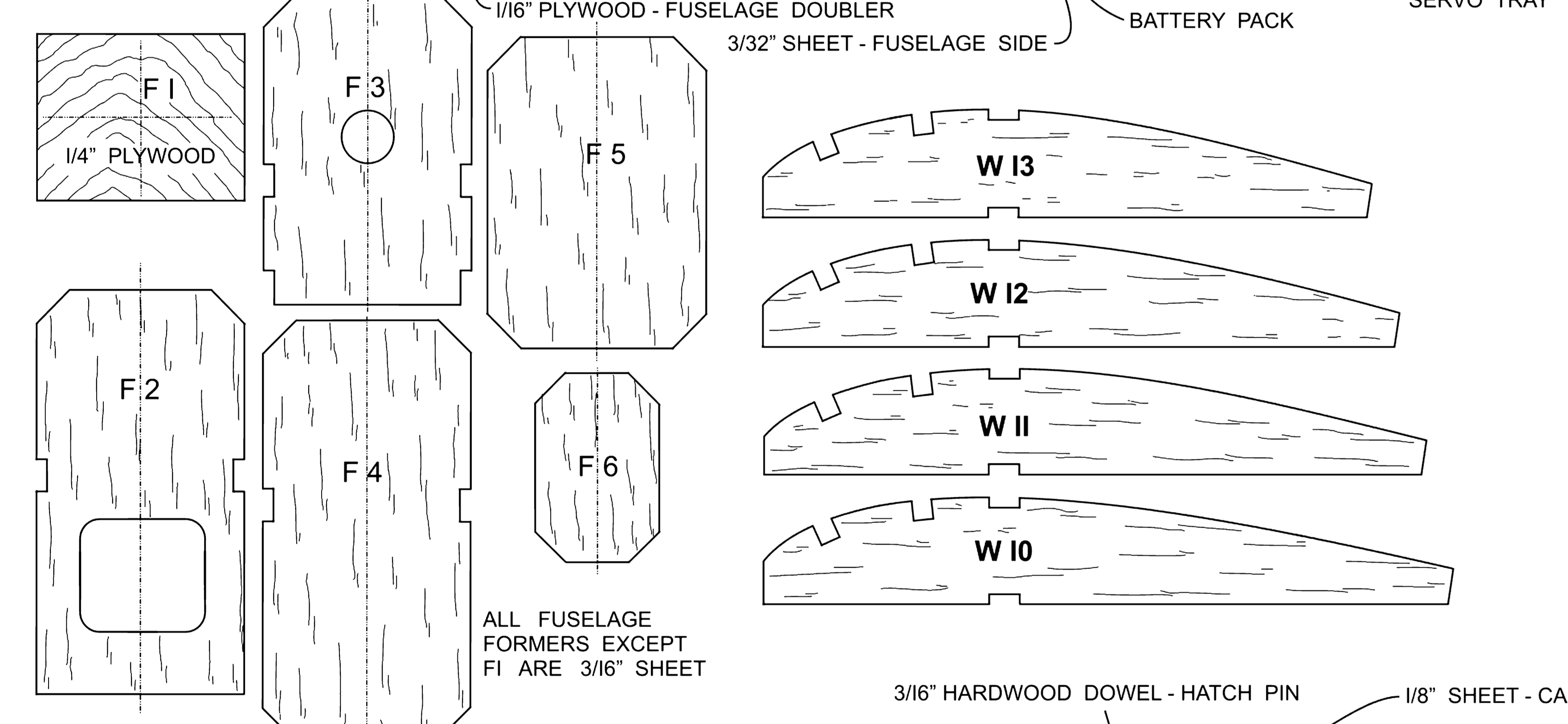
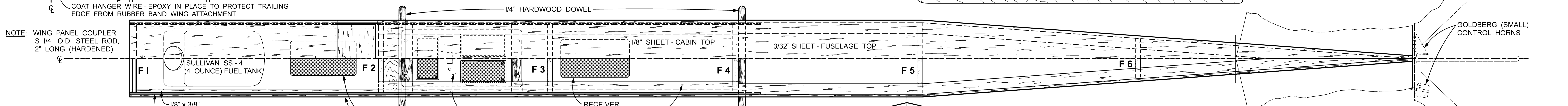
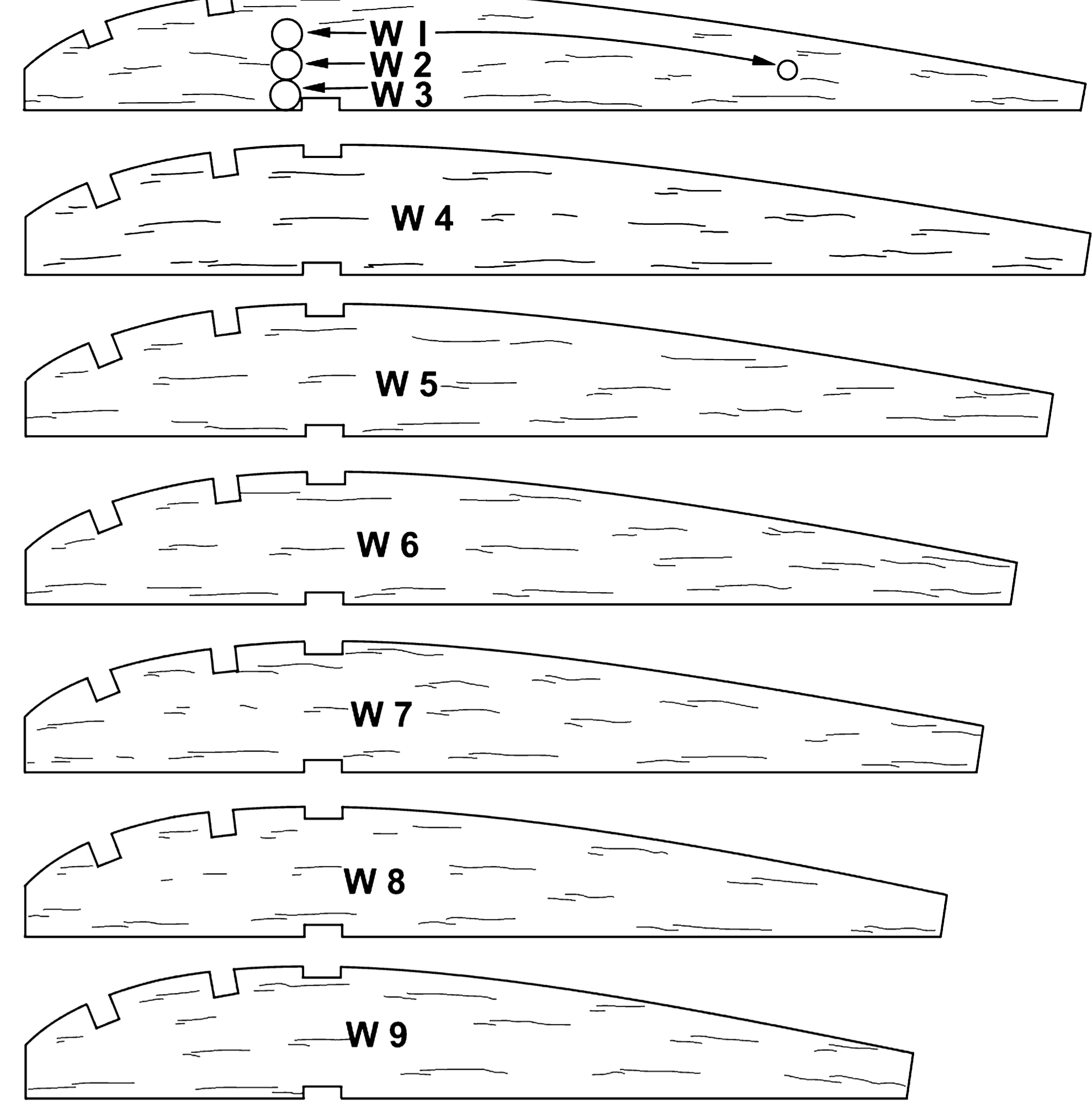
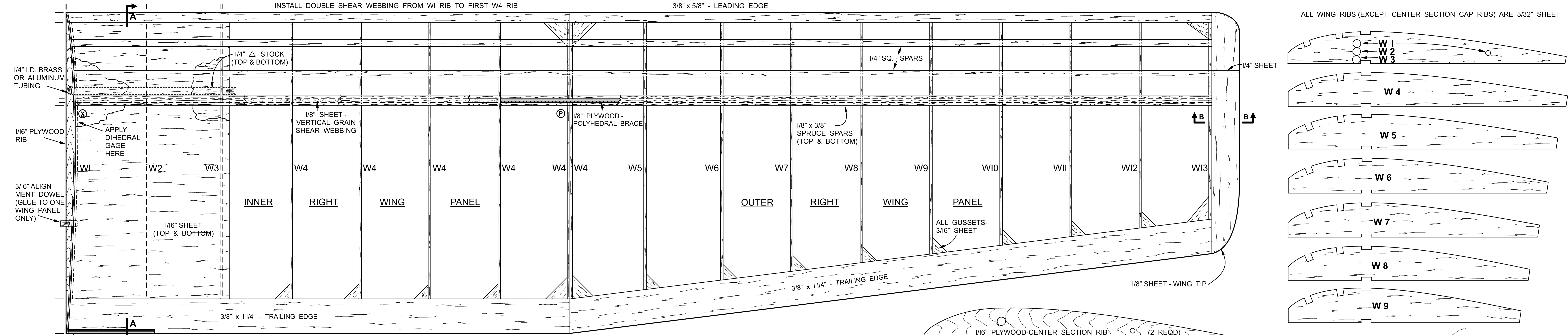


INSTALL DOUBLE SHEAR WEBBING FROM W1 RIB TO FIRST W4 RIB

3/8" x 5/8" - LEADING EDGE

ALL WING RIBS (EXCEPT CENTER SECTION CAP RIBS) ARE 3/32" SHEET



NOTE: ALL WOOD IS BALSA UNLESS NOTED OTHERWISE.

RCM BIG BIRD TOO

DESIGNED BY DICK TICHENOR

TRACED IN INK BY *Bill Patterson*